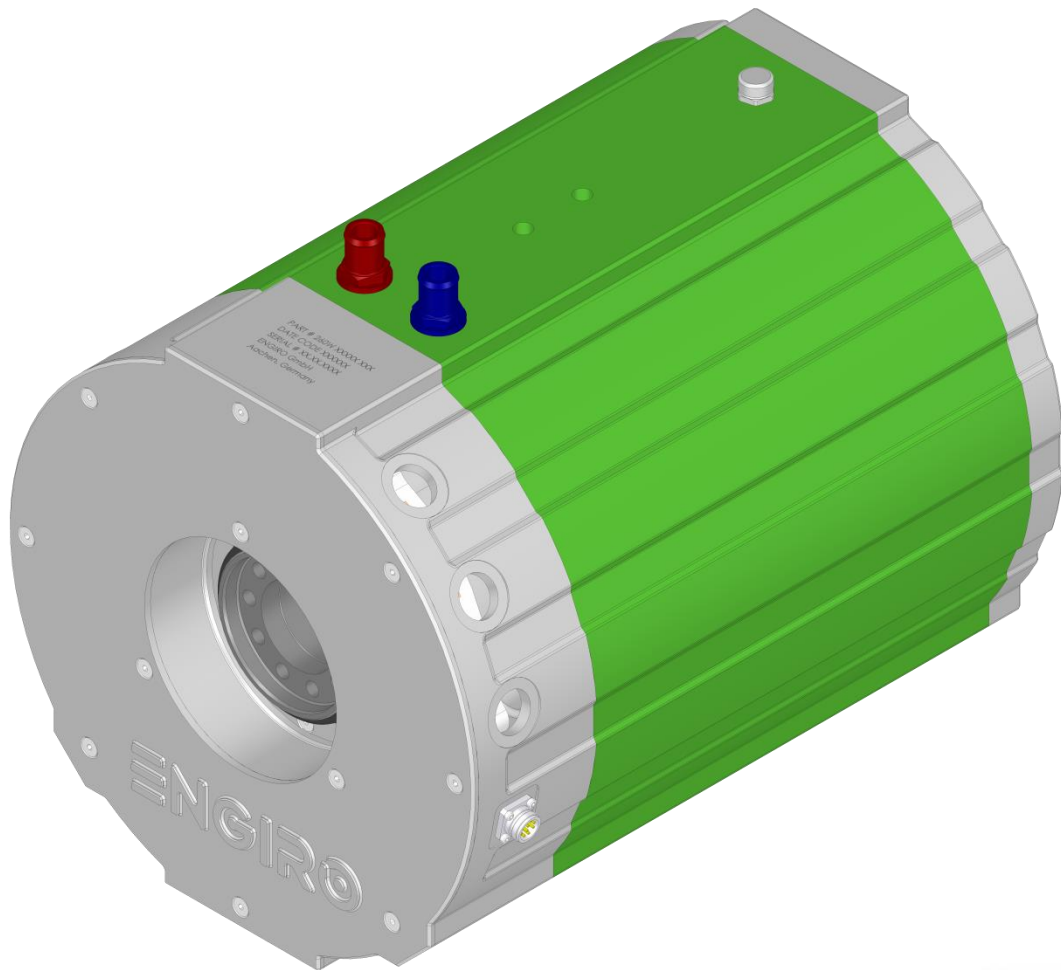


260W-15018-ABC

water-cooled motor/generator with up to 153 kW power



KEY FEATURES

- permanent magnet synchronous machine
- water-cooled
- high peak power for motor applications
- convincing cost-benefit ratio
- recommended voltage range from 300V to 850V
- delivery with controller possible
- Double shaft end with screw flange

Section	Page
Technical Data Machine	3
Sable Shaft and Flange Combinations	4
Technical Drawings Machine	4
Characteristics Machine 400V	5
Characteristics Machine 700V	6

Data, including specifications, contained within this document are summary in nature and subject to change at any time without notice and are intended for general information only. Call for latest revision. All brand names and product names referenced are trademarks, registered trademarks, or trade names of their respective holders.

Nominal Operation (S2, 60 min, cooling as specified below)					
Torque	T_{nom}	451	422	Nm	
Power	P_{nom}	93	153	kW	
Speed	n_{nom}	1910	3350	rpm	
Phase rms-current	I_{nom}	238 ^{1,2)}	222 ^{1,2)}	A	
Battery voltage (DC)	U_{nom}	400	700	V	
Electric frequency	$f_{el,nom}$	159	279	Hz	
Power factor	$\cos(\varphi)$	0.73	0.73		

Maximal Values (S2, 10s, cooling as specified below)					
Torque	T_{max}	830	830	Nm	
Power	P_{max}	151	273	kW	
Phase rms-current	I_{max}	546 ²⁾	546 ²⁾	A	
Battery voltage (DC)	U_{max}		850	V	
Speed	n_{max}		6000	rpm	
Electric frequency	$f_{el,max}$		500	Hz	

Electrical Data					
Number of phases				3	
Number of pole pairs				5	
Maximal efficiency				96	%
T/I constant ($I < I_{nom}$)				1.89	Nm/A _{rms}
U/n constant (AC) at a temperature of 30°C	rms:	113.3	peak:	175.6	V/(1000rpm)
K_e constant (AC) at a temperature of 30°C	rms:	0.216	peak:	0.335	V/(rad*s ⁻¹)

Additional Data					
Weight (w/o cables)				97	kg
Rotor moment of inertia				0.104	kg*m ²
Protection category				IP6K9K ³⁾	
Maximal motor temperature				140	°C
Allowed ambient temperature				-20 ... 45 ⁴⁾	°C
Cooling (medium, flow rate, inlet temperature, pressure)				water/glycol 50/50, 18 l/min, ≤ 45°C, ≤ 0.5 bar	
Temperature monitoring				1 x KTY84-130	
Type approval				CE, EN 60034	
Customs tariff number				8501 5381	

Connectors					
Power terminals				3 x M25 cable gland	
Signal connectors				M16, 10 Pin	
Cooling connectors				2 x 3/4" / 19 mm	

¹⁾ Nominal current strongly dependent on cooling as specified below.

²⁾ The cables must not exceed a temperature of 140 °C at any time. Temperature and service life depend on the installation condition.

³⁾ Please note that the IP6K9K rating is only valid if the machine is installed with suitable cable glands and an appropriate sealed interface at the drive side of the motor (flange and/or shaft). Please contact ENGIRO for further questions. / Only applies to SFR Variant /

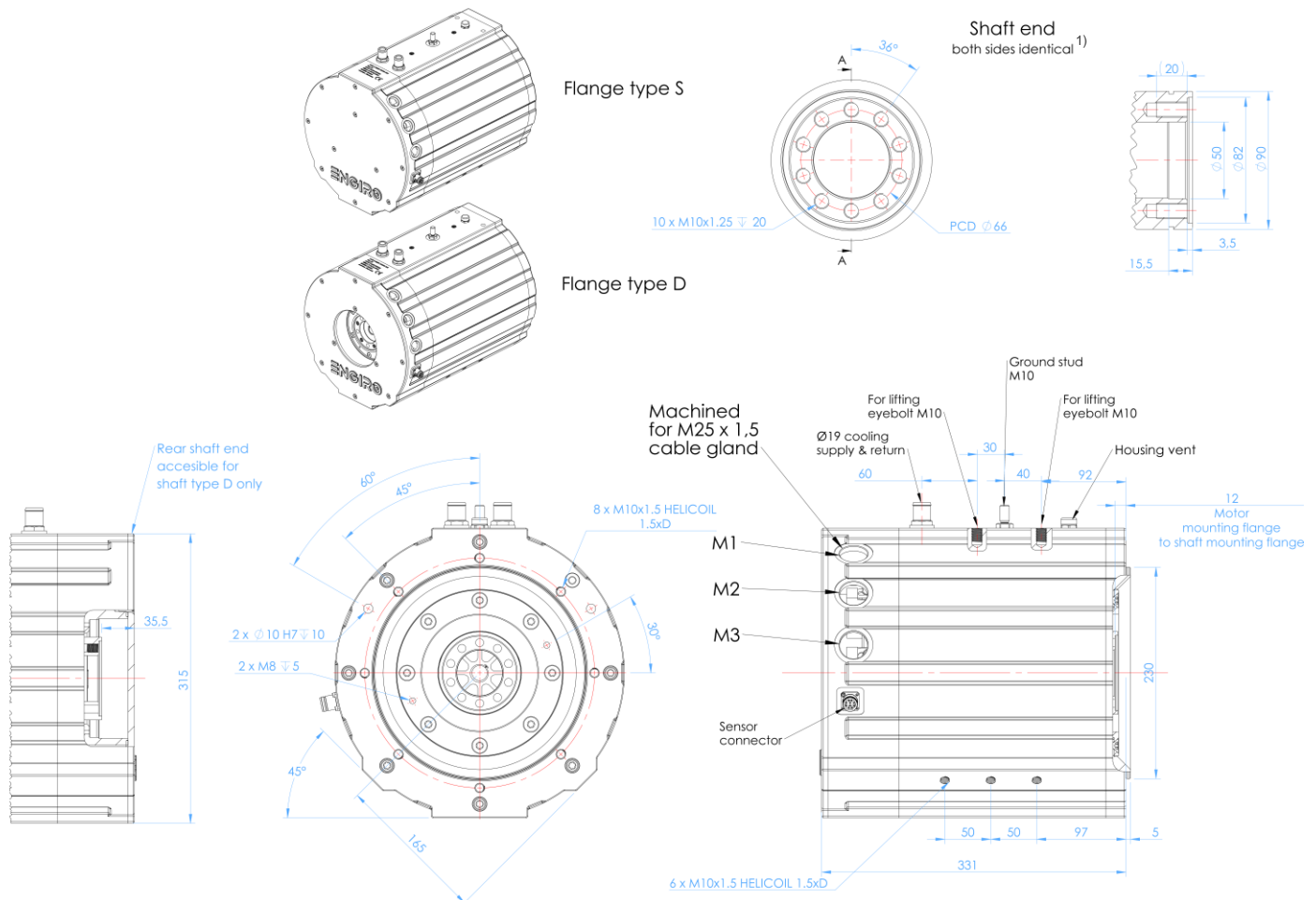
⁴⁾ other range on request

Data, including specifications, contained within this document are summary in nature and subject to change at any time without notice and are intended for general information only. Call for latest revision. All brand names and product names referenced are trademarks, registered trademarks, or trade names of their respective holders.

Shaft and Flange Combinations for 260W-15018-ABC		Flange (A)	
		S (Standard)	D (Double)
Shaft (B)	F (Hollow shaft with two screw flanges)	●	(●) DFR variant only approved for ≤ 3500rpm
Position Sensor (C)		R: Resolver	

Other individual combinations are also possible on request.

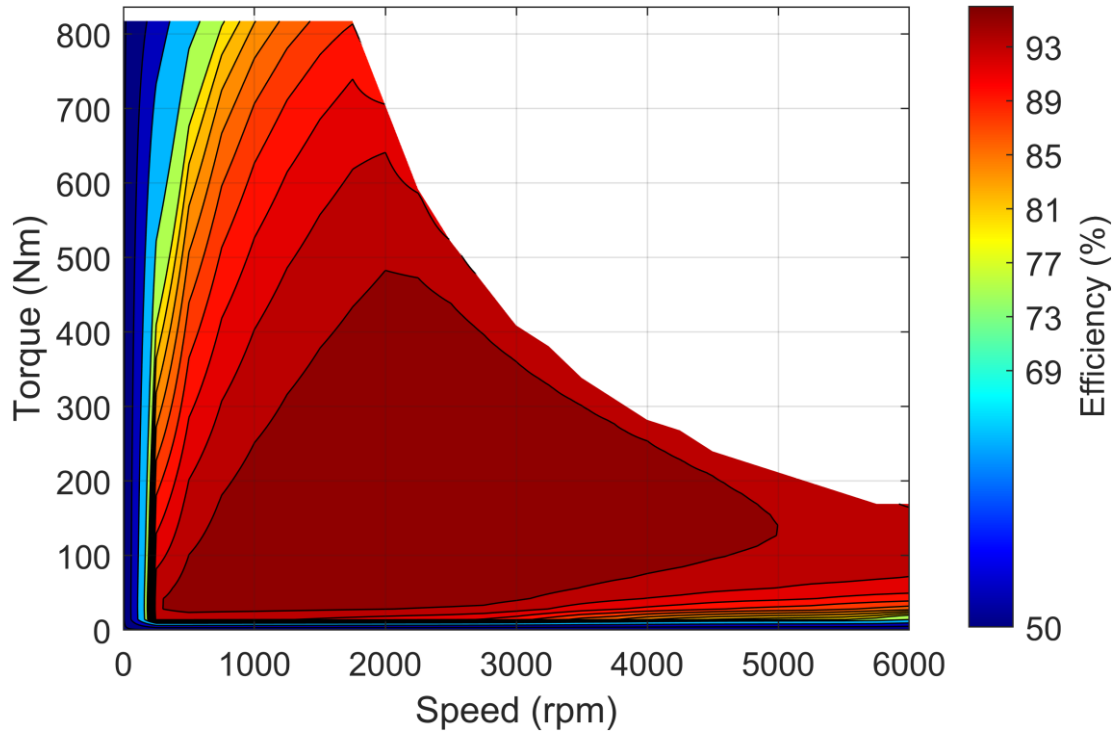
Technical Drawings



1) Applies to flange type D only

Data, including specifications, contained within this document are summary in nature and subject to change at any time without notice and are intended for general information only. Call for latest revision. All brand names and product names referenced are trademarks, registered trademarks, or trade names of their respective holders.

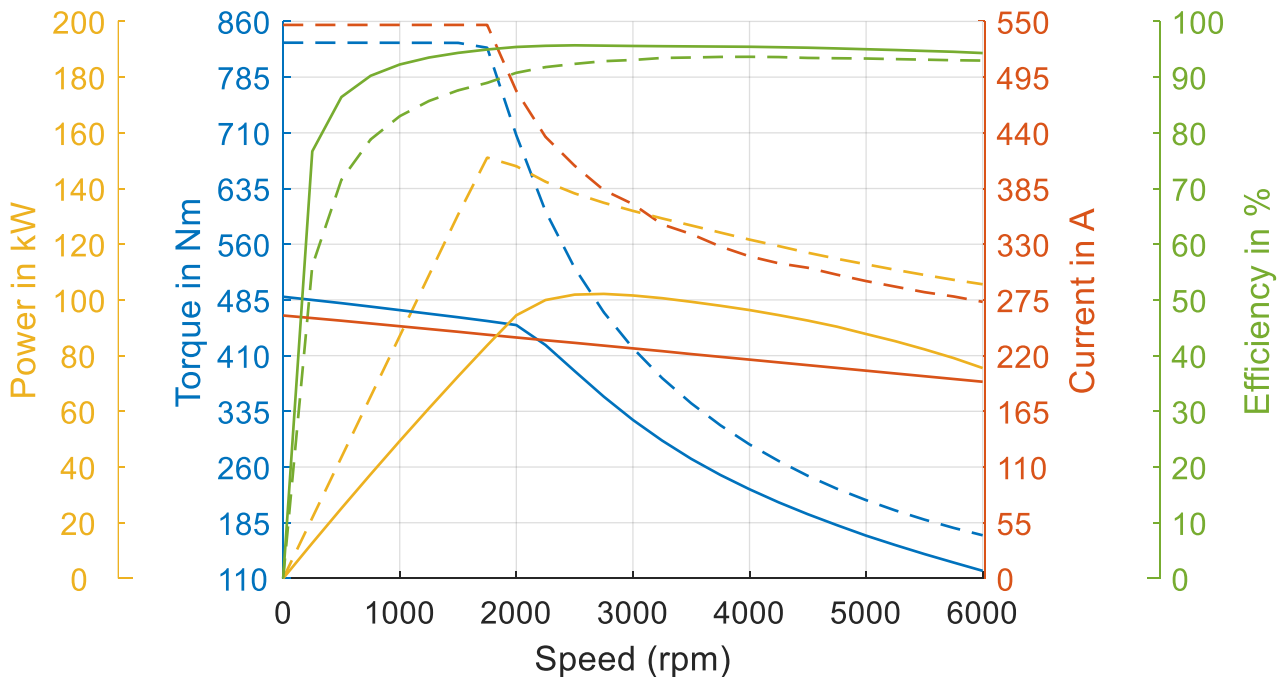
Simulated Efficiency of Motor Application
(electric machine only; $U_{nom} = 400\text{ V}$; machine at 140 °C ;)



Simulated Characteristic Motor Parameters

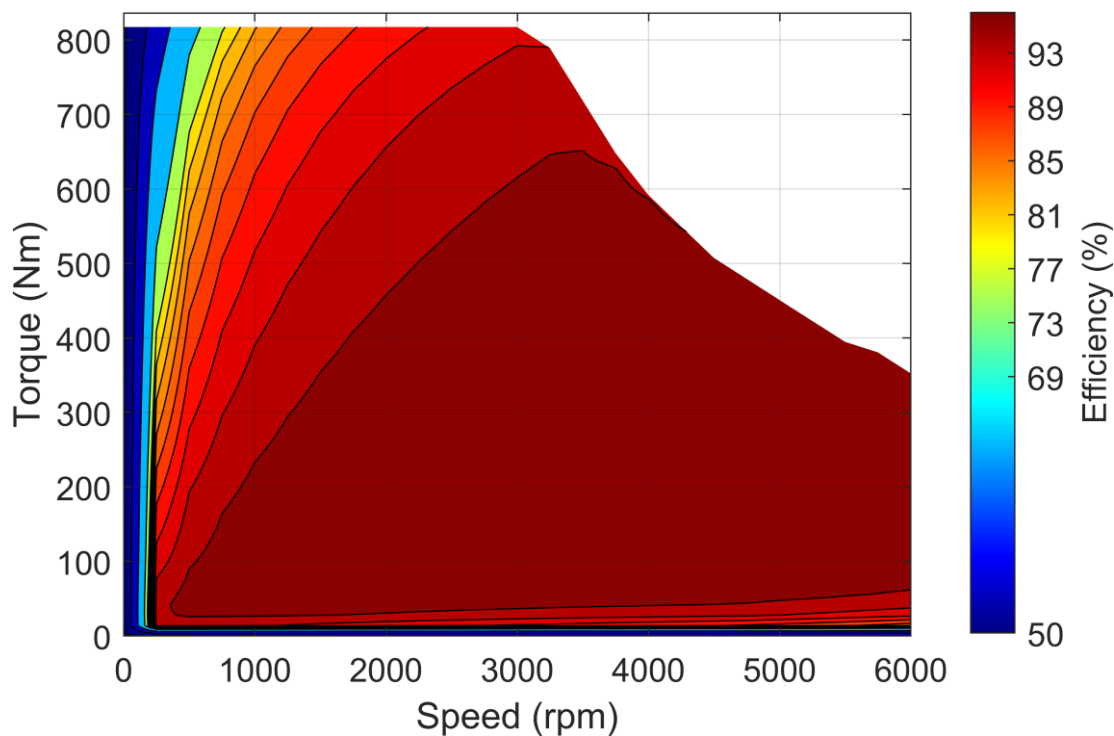
$U_{nom} = 400\text{ V}$

solid lines: S2 60 min; dashed lines: maximum;



Data, including specifications, contained within this document are summary in nature and subject to change at any time without notice and are intended for general information only. Call for latest revision. All brand names and product names referenced are trademarks, registered trademarks, or trade names of their respective holders.

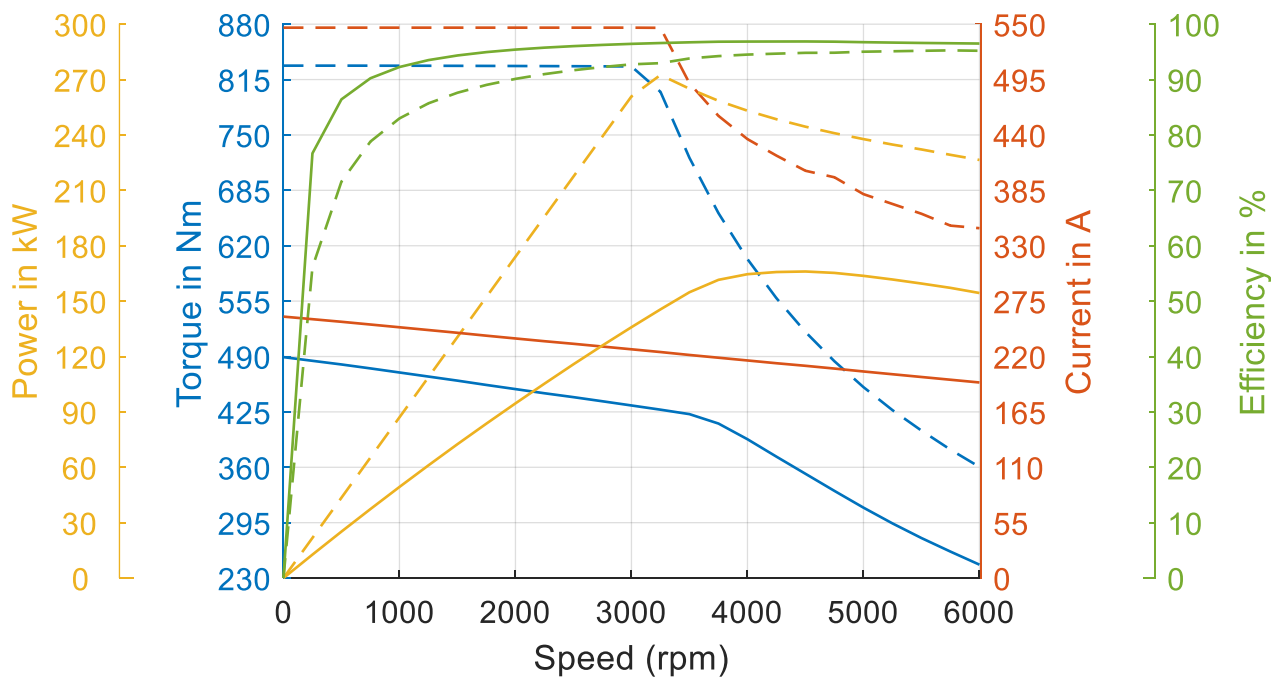
Simulated Efficiency of Motor Application
(electric machine only; $U_{nom} = 700\text{ V}$; machine at 140 °C ;)



Simulated Characteristic Motor Parameters

$U_{nom} = 700\text{ V}$

solid lines: S2 60 min; dashed lines: maximum;



Data, including specifications, contained within this document are summary in nature and subject to change at any time without notice and are intended for general information only. Call for latest revision. All brand names and product names referenced are trademarks, registered trademarks, or trade names of their respective holders.