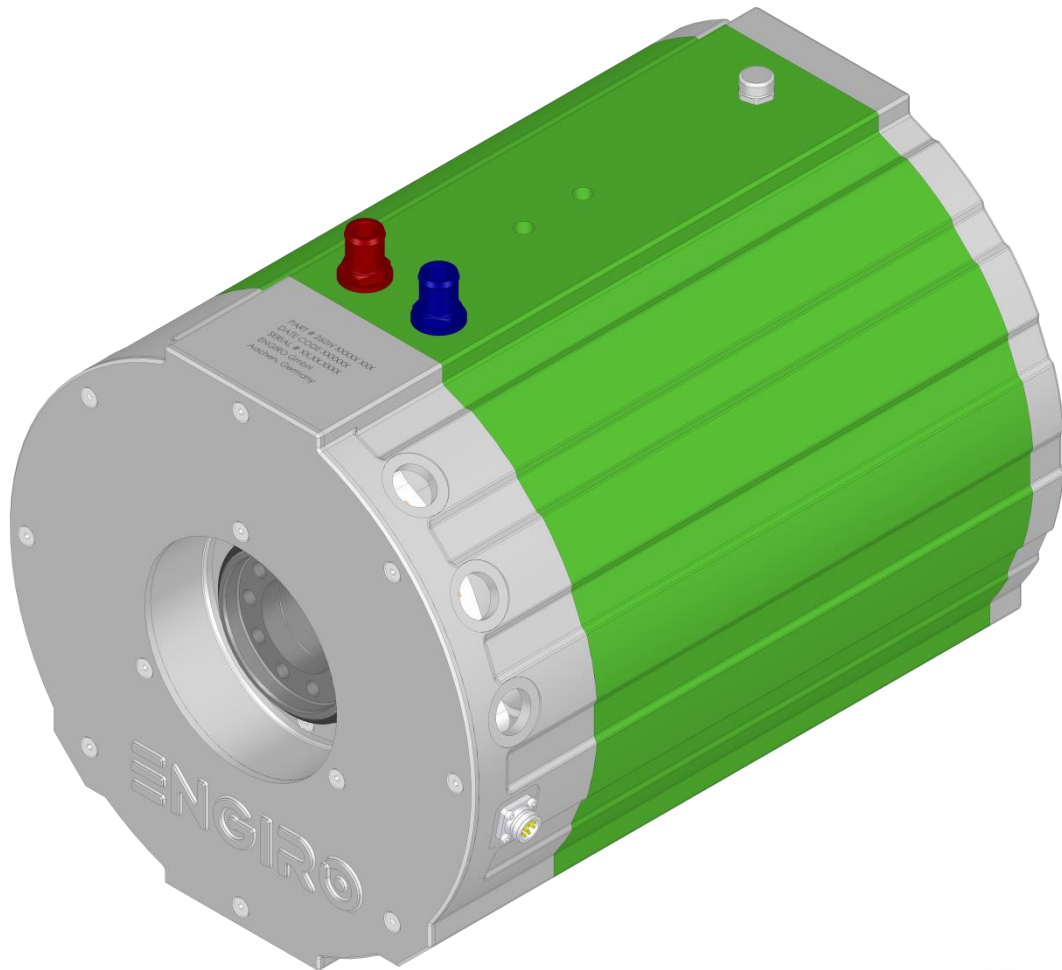


260W-15018-ABC

water-cooled motor/generator with up to 153 kW continuous power



KEY FEATURES

- permanent magnet synchronous machine
- water-cooled
- high peak power for motor applications
- convincing cost-benefit ratio
- recommended voltage range from 300V to 850V
- delivery with controller possible
- Double shaft end with screw flange

Section	Page
Technical Data Machine	3
Technical Drawings Machine	4
Characteristics Machine – 400V	5
Characteristics Machine – 700V	

Data, including specifications, contained within this document are summary in nature and subject to change at any time without notice and are intended for general information only. Call for latest revision. All brand names and product names referenced are trademarks, registered trademarks, or trade names of their respective holders.

Nominal Operation (S1, cooling as specified below)					
Torque	T_{nom}	451	422	Nm	
Power	P_{nom}	93	153	kW	
Speed	n_{nom}	1910	3350	rpm	
Phase rms-current	I_{nom}	238 ^{1,2)}	222 ^{1,2)}	A	
Battery voltage (DC)	U_{nom}	400	700	V	
Electric frequency	$f_{el,nom}$	159	279	Hz	
Power factor	$\cos(\varphi)$	0.73	0.73		
Maximal Values (S2, 10s, cooling as specified below)					
Torque	T_{max}	830	830	Nm	
Power	P_{max}	151	273	kW	
Phase rms-current	I_{max}	546 ²⁾	546 ²⁾	A	
Battery voltage (DC)	U_{max}		850	V	
Speed	n_{max}		6000	rpm	
Electric frequency	$f_{el,max}$		500	Hz	
Electrical Data					
Number of phases			3		
Number of pole pairs			5		
Maximal efficiency			96	%	
T/I constant ($I < I_{nom}$)			1.89	Nm/A _{rms}	
U/n constant (AC) at a temperature of 30°C	rms:	113.3	peak:	175.6	V/(1000rpm)
K_{ϕ} constant (AC) at a temperature of 30°C	rms:	0.216	peak:	0.335	V/(rad*s ⁻¹)
Additional Data					
Weight (w/o cables)			97	kg	
Rotor moment of inertia			0.104	kg*m ²	
Protection category			IP65 / IP69k		
Maximal motor temperature			140	°C	
Allowed ambient temperature			-20 ... 45 ³⁾	°C	
Cooling (medium, flow rate, inlet temperature, pressure)			water/glycol 50/50, 18 l/min, ≤ 45°C, ≤ 0.5 bar		
Temperature monitoring			1 x KTY84-130		
Type approval			CE, EN 60034		
Customs tariff number			8501 5381		
Connectors					
Power terminals			3 x M25 cable gland		
Signal connectors			M16, 10 Pin		
Cooling connectors			2 x 3/4" / 19 mm		

¹⁾ Nominal current strongly dependent on cooling as specified below.

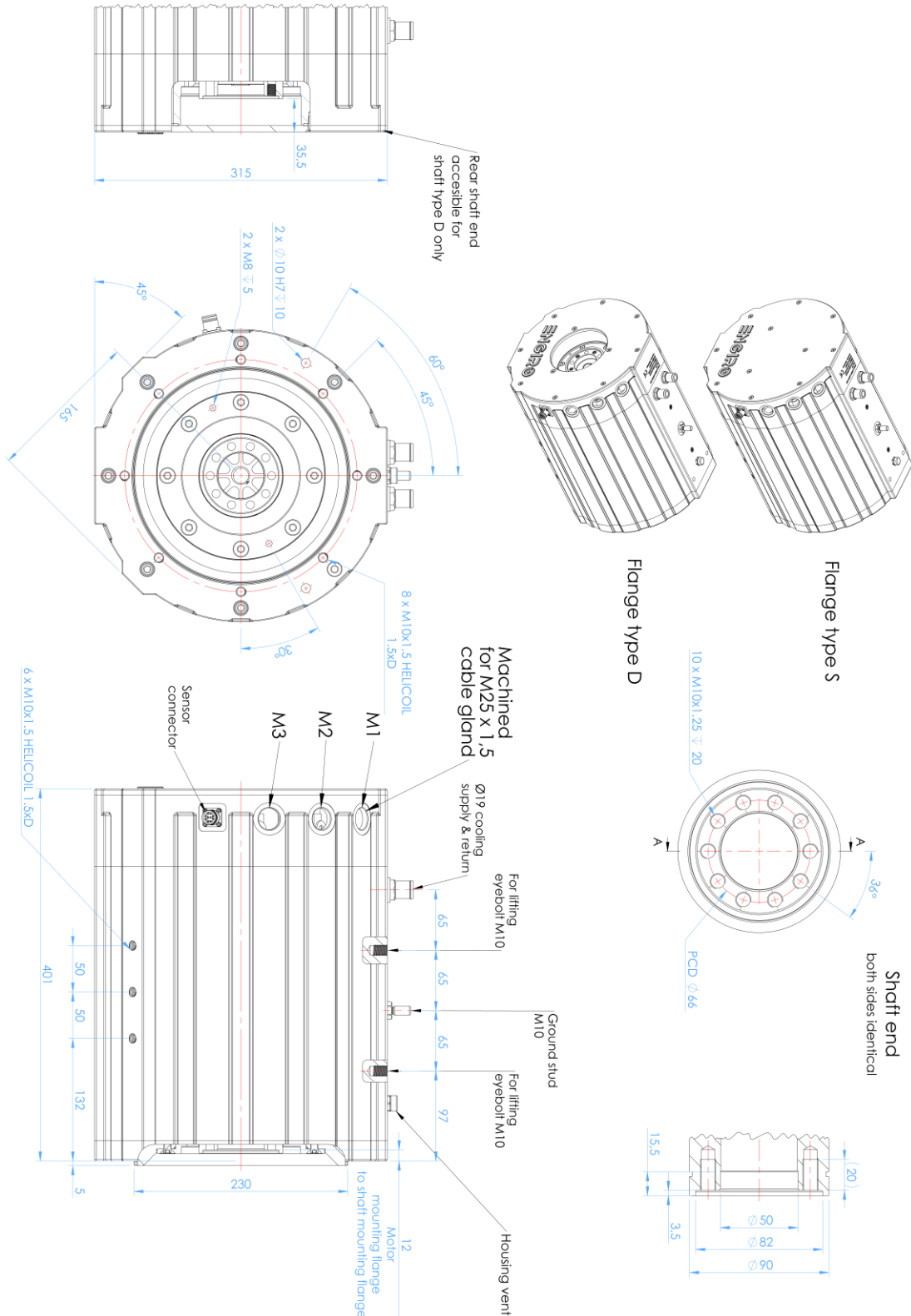
²⁾ The cables must not exceed a temperature of 140 °C at any time. Temperature and service life depend on the installation condition.

³⁾ other range on request

Data, including specifications, contained within this document are summary in nature and subject to change at any time without notice and are intended for general information only. Call for latest revision. All brand names and product names referenced are trademarks, registered trademarks, or trade names of their respective holders.

Available Type Variants

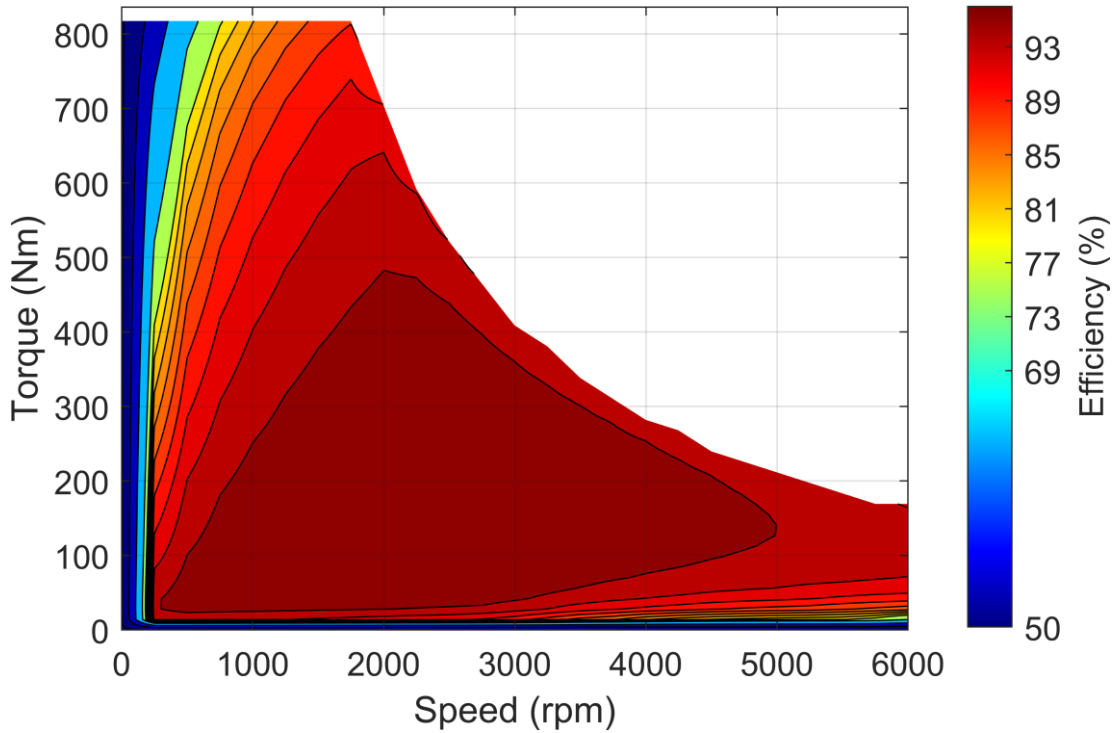
type number	A: flange	B: shaft	C: position sensor
260W-15018-	S: standard	F: hollow shaft with two screw flanges	R: resolver
	D: double		N: none



Data, including specifications, contained within this document are summary in nature and subject to change at any time without notice and are intended for general information only. Call for latest revision. All brand names and product names referenced are trademarks, registered trademarks, or trade names of their respective holders.

Simulated Efficiency of Motor Application

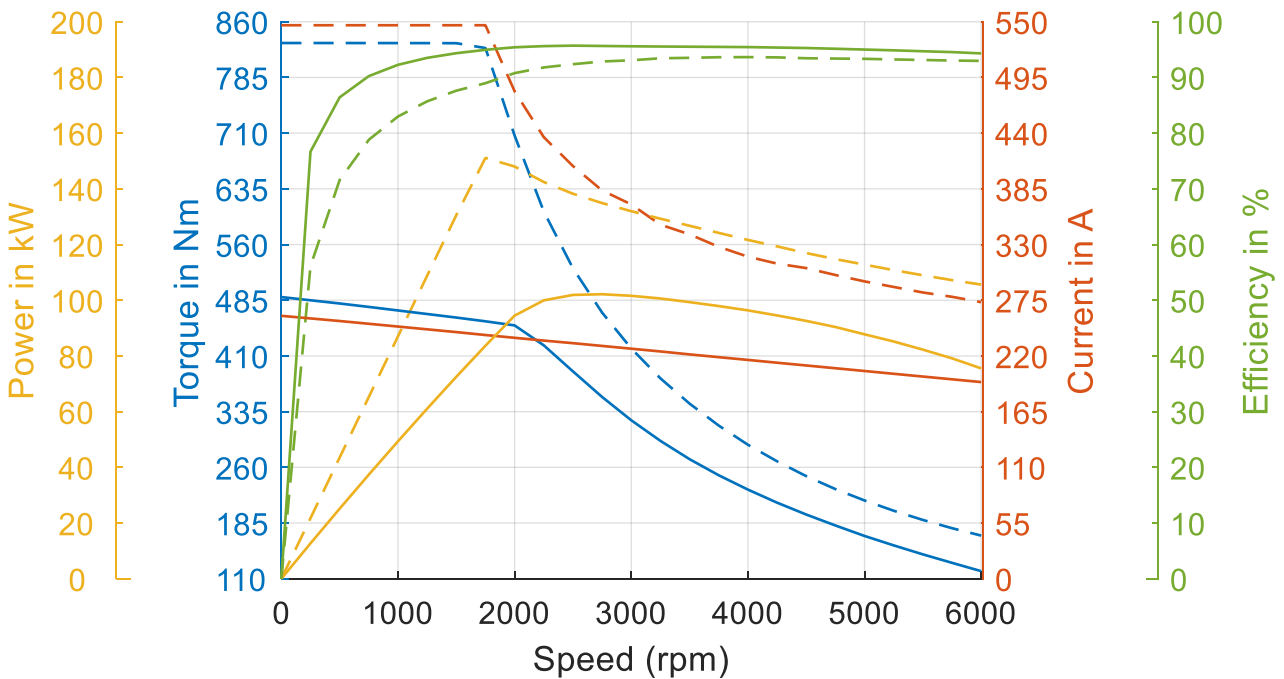
(electric machine only; $U_{nom} = 400\text{ V}$; machine at 140 °C ;))



Simulated Characteristic Motor Parameters

$U_{nom} = 400\text{ V}$

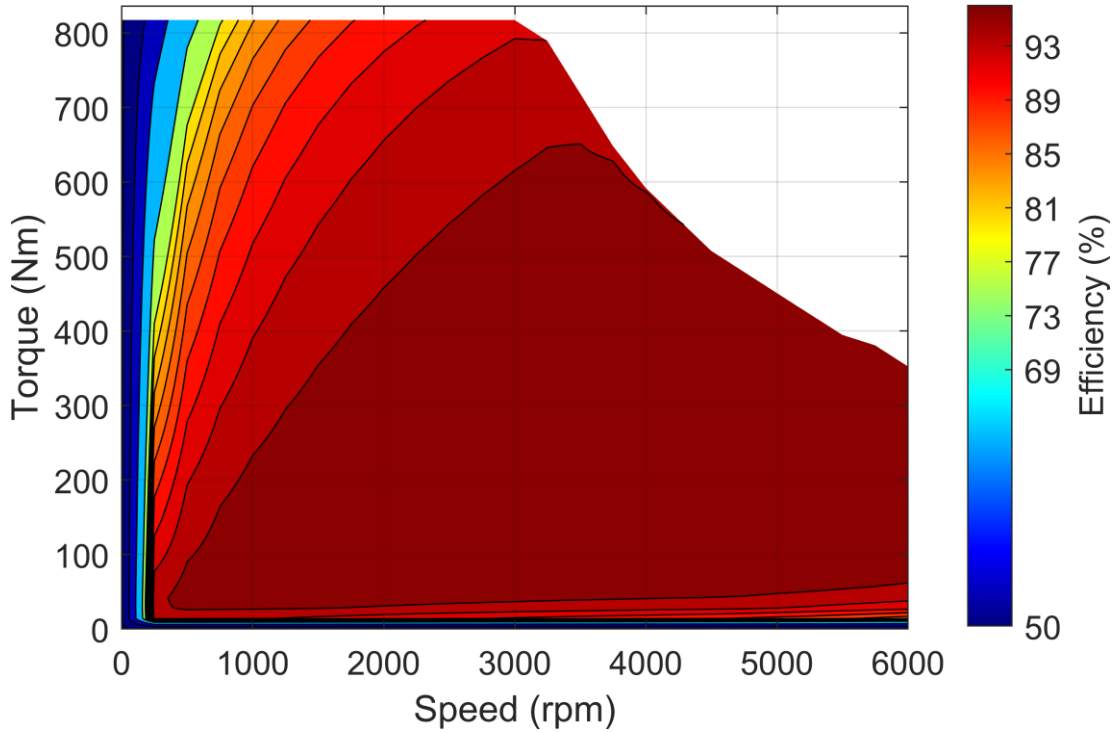
solid lines: continuous; dashed lines: maximum;



Data, including specifications, contained within this document are summary in nature and subject to change at any time without notice and are intended for general information only. Call for latest revision. All brand names and product names referenced are trademarks, registered trademarks, or trade names of their respective holders.

Simulated Efficiency of Motor Application

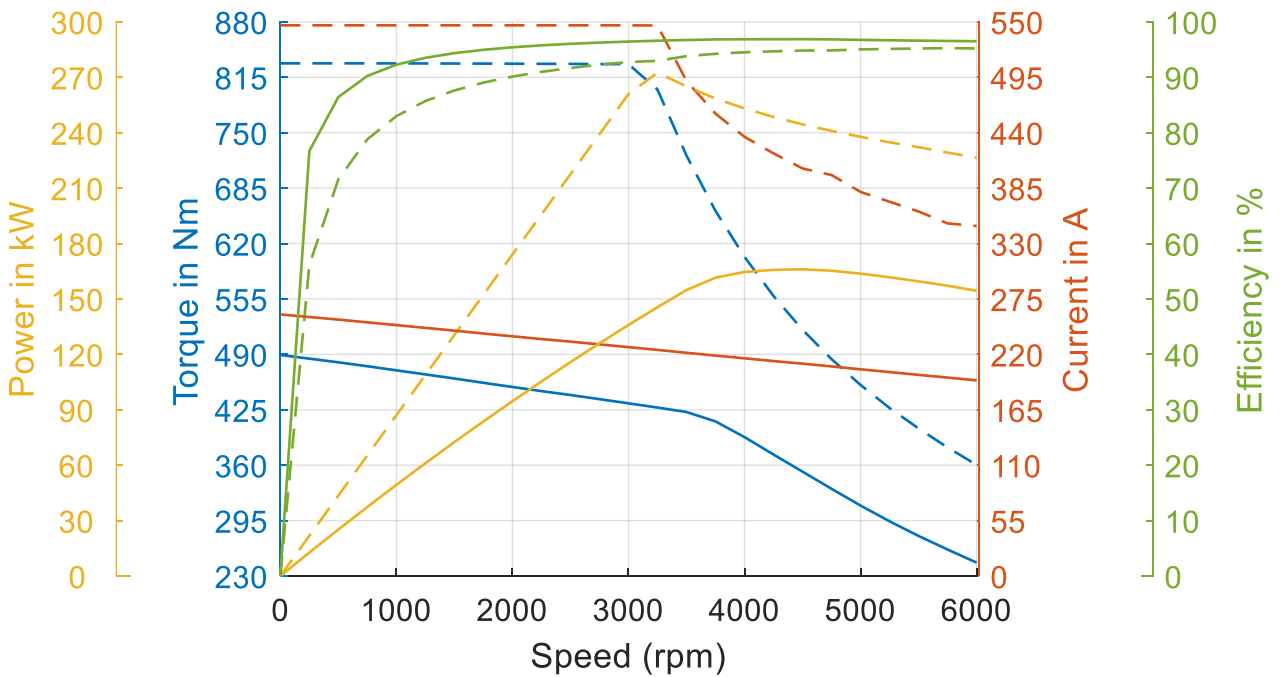
(electric machine only; $U_{nom} = 700\text{ V}$; machine at 140 °C ;)



Simulated Characteristic Motor Parameters

$U_{nom} = 700\text{ V}$

solid lines: continuous; dashed lines: maximum;



Data, including specifications, contained within this document are summary in nature and subject to change at any time without notice and are intended for general information only. Call for latest revision. All brand names and product names referenced are trademarks, registered trademarks, or trade names of their respective holders.