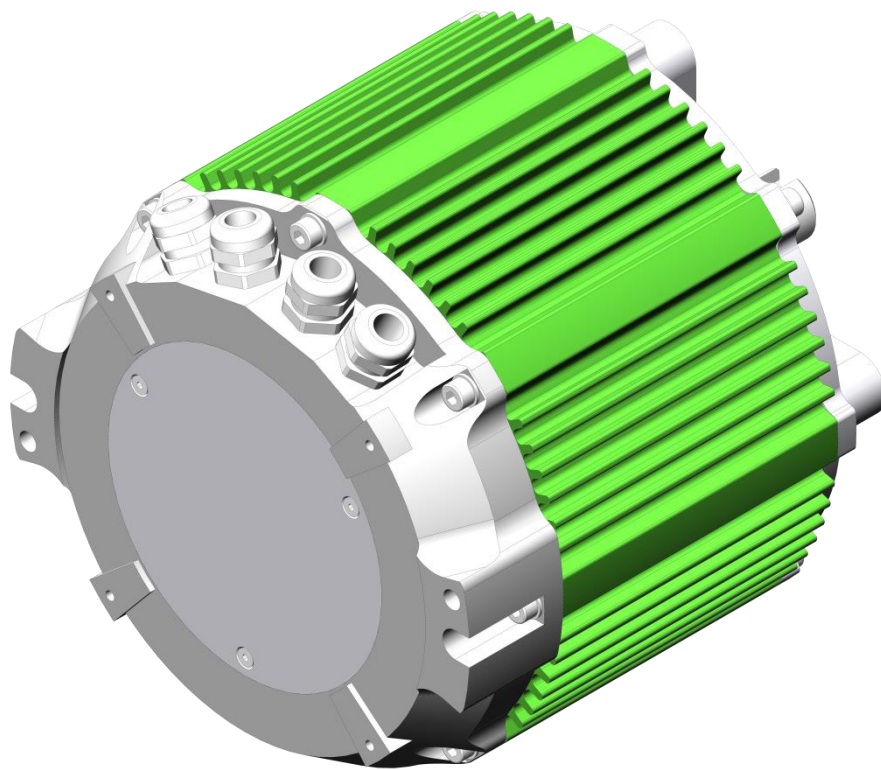


159A-06006-ABC

air-cooled motor / generator with 6.6 kW continuous power



KEY FEATURES

- permanent magnet synchronous machine
- air-cooled
- convincing cost-benefit ratio
- delivery with controller possible

Section	Page
Technical Data Machine	3
Technical Drawings Machine	4
Characteristics Machine	5

Data, including specifications, contained within this document are summary in nature and subject to change at any time without notice and are intended for general information only. Call for latest revision. All brand names and product names referenced are trademarks, registered trademarks, or trade names of their respective holders.

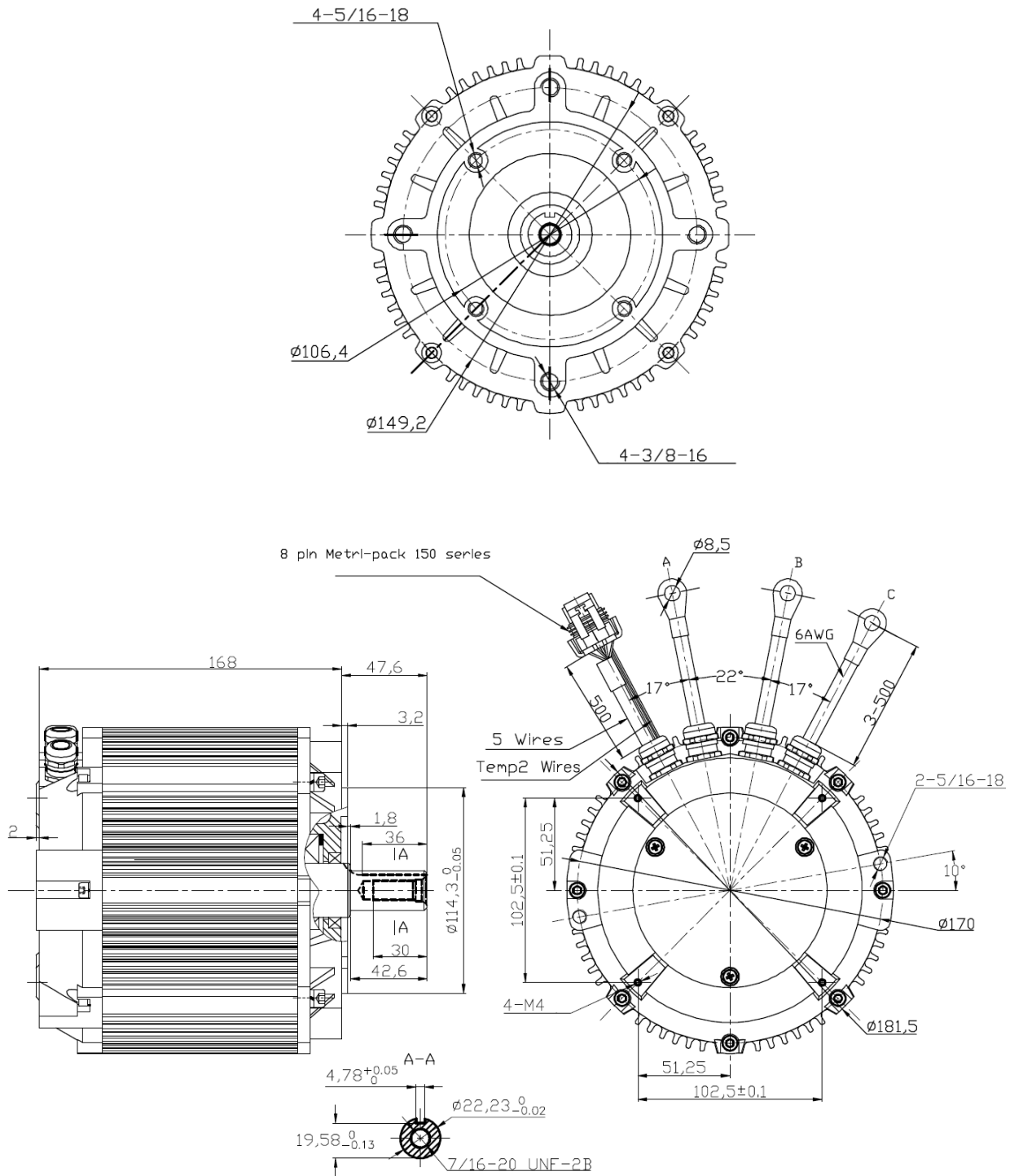
Nominal Operation (S1, cooling as specified below)				
Torque	T_{nom}		16	Nm
Power	P_{nom}		6.6	kW
Speed	n_{nom}		4000	rpm
Phase rms-current	I_{nom}		140	A
Battery voltage (DC)	U_{nom}		48	V
Electric frequency	$f_{el,nom}$		333	Hz
Power factor	$\cos(\varphi)$		0.65	
Maximal Values (S2, 10s, cooling as specified below)				
Torque	T_{max}		25	Nm
Power	P_{max}		12	kW
Phase rms-current	I_{max}		190	A
Battery voltage (DC)	U_{max}		60	V
Speed	n_{max}		5400	rpm
Electric frequency	$f_{el,max}$		450	Hz
Electrical Data				
Number of phases			3	
Number of pole pairs			5	
Maximal efficiency			90	%
T/I constant ($I < I_{nom}$)			0.11	Nm/A _{rms}
U/n constant (AC)		rms: 8.9	peak: 12.6	V/(1000rpm)
K_e constant (AC)		rms: 0.017	peak: 0.024	V/(rad*s ⁻¹)
Additional Data				
Weight (w/o cables)			12	kg
Protection category			IP65 / IP69k	
Maximal motor temperature			120	°C
Allowed ambient temperature			-20 ... 45 ¹⁾	°C
Cooling (medium, flow rate, inlet temperature, pressure)			air, > 6 m/s, ≤ 45°C	
Temperature monitoring			1 x KTY84-130	
Type approval			CE, EN 60034	
Customs tariff number			8501 5220	
Connectors				
Power terminals			3 x 6 AWG cables with M8 cable lugs	
Signal connectors			8 Pin Metri-Pack 150	

¹⁾ other range on request

Data, including specifications, contained within this document are summary in nature and subject to change at any time without notice and are intended for general information only. Call for latest revision. All brand names and product names referenced are trademarks, registered trademarks, or trade names of their respective holders.

Available Type Variants

type number	A: flange	B: shaft	C: position sensor
159A-06006-	N: standard	N: cylindrical shaft with keyway	H: UVW hall sensors
			N: none

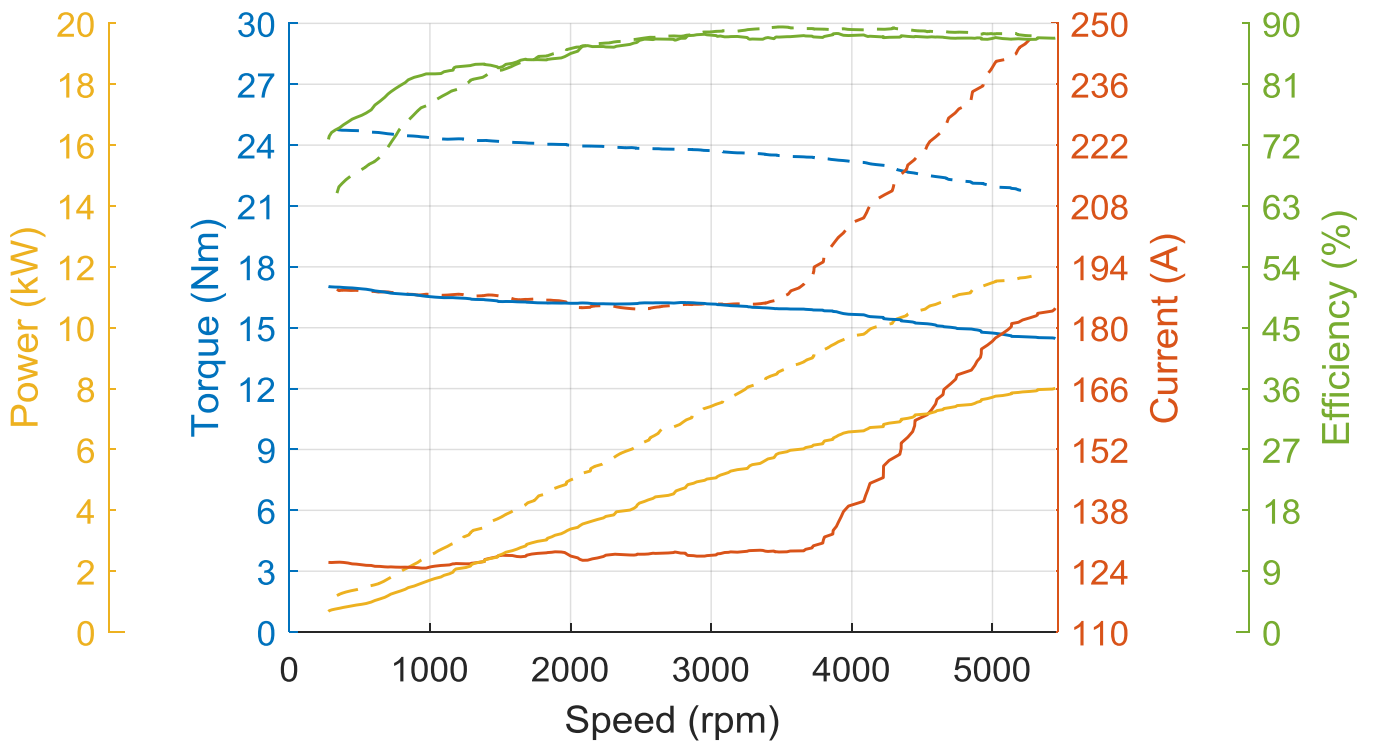


Data, including specifications, contained within this document are summary in nature and subject to change at any time without notice and are intended for general information only. Call for latest revision. All brand names and product names referenced are trademarks, registered trademarks, or trade names of their respective holders.

Measured Characteristic Motor Parameters

$$U_{nom} = 48 \text{ V}$$

solid lines: continuous till 4000 rpm;
dashed lines: maximum



Data, including specifications, contained within this document are summary in nature and subject to change at any time without notice and are intended for general information only. Call for latest revision. All brand names and product names referenced are trademarks, registered trademarks, or trade names of their respective holders.